

# Electric pump

## EL354A/B

| PUMP SPECIFICATIONS             | Mod. A              | Mod. B     |
|---------------------------------|---------------------|------------|
| Capacity [m <sup>3</sup> /h]    | 60                  | 120        |
| Head [m]                        | 46                  | 39         |
| Impeller diameter [mm]/type     | 400/2 blades closed |            |
| Flanged bore size [DN.../PN...] | DN100/PN10          | DN150/PN10 |
| Cross section diameter [mm]     | 35                  |            |
| Weight (without cable) [kg]     | 750                 | 760        |

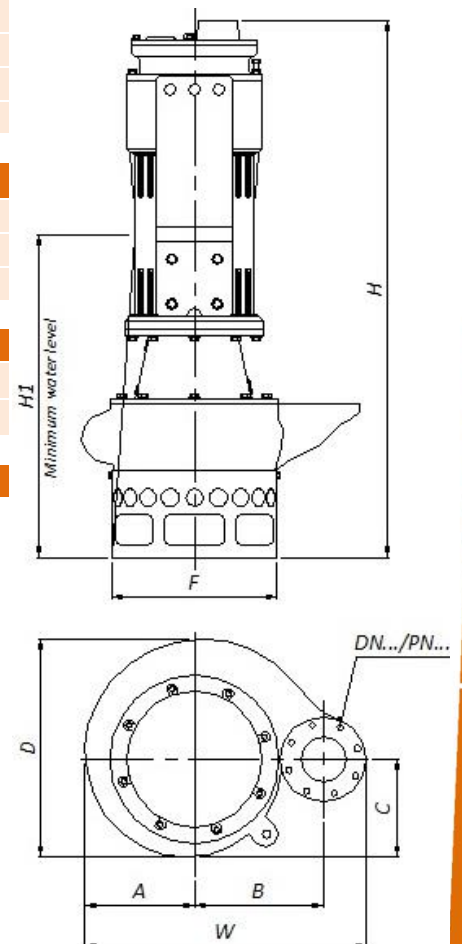
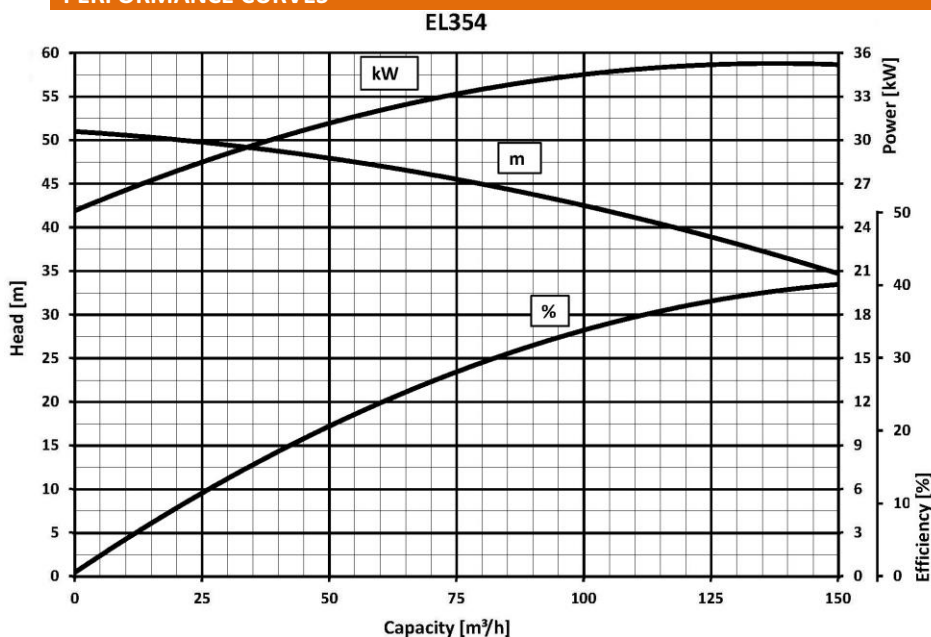
| ELECTRIC MOTOR                 |              |
|--------------------------------|--------------|
| Power [kW-HP]                  | 37-50        |
| Voltage [V]/Current [A]        | 400/69.8     |
| Phases/Poles/Frequency [Hz]    | 3/4/50       |
| Speed [RPM]                    | 1450         |
| Insulation class               | H            |
| Power cable 20m (IEC 60245- 4) | H07RN-F 4G16 |

| MATERIALS     |   |
|---------------|---|
| Casing        | Spheroidal cast iron EN-GJS-800-2 (EN 1563) |
| Motor housing | Cast iron EN-GJL-250 (EN 1561)              |
| Wear parts    | High chrome EN-GJN-HV600 (XCr18) (EN 12513) |
| Main shaft    | High tensile steel 39NiCrMo3 (AISI 9840)    |

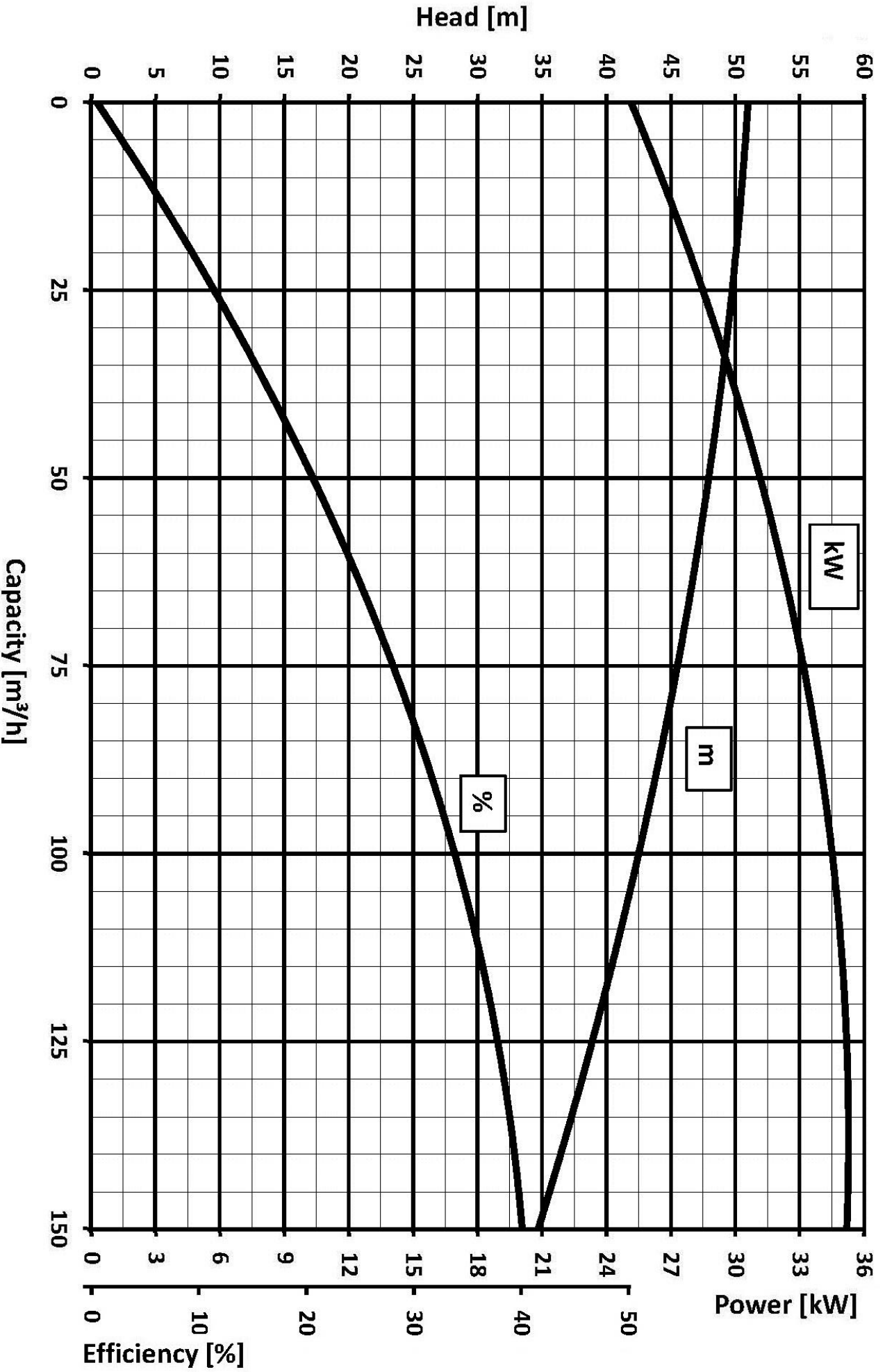
| SEALS / LUBRICANT   |                                     |
|---------------------|-------------------------------------|
| Motor side seals    | 2 lip seals (BUNA)                  |
| Impeller side seals | 3 lip seals (BUNA) + 1 V-RING (TPU) |
| Oil type            | ISO 320                             |

| DIMENSIONS [mm] |     |     |     |     |     |     |     |
|-----------------|-----|-----|-----|-----|-----|-----|-----|
| H               | W   | D   | F   | H1  | A   | B   | C   |
| 1445            | 910 | 750 | 600 | 955 | 380 | 420 | 350 |

### PERFORMANCE CURVES



# EL354



We reserve the right to make changes without notice